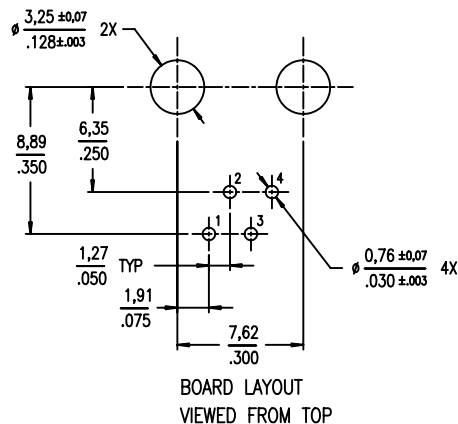
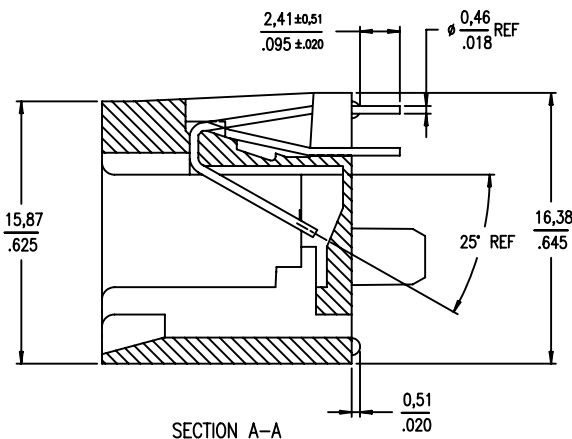
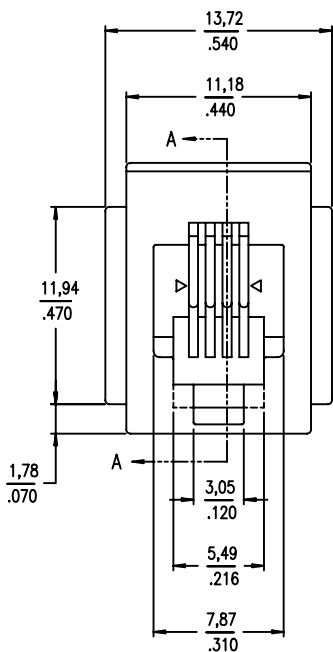
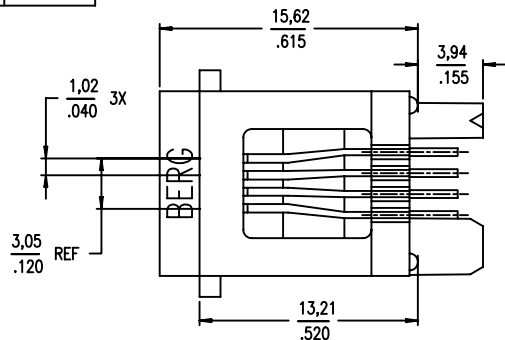
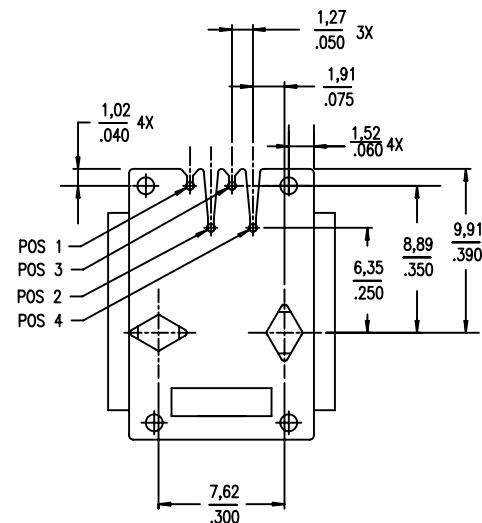



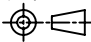
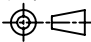
PRODUCT NO.	POS. LOADED	CONTACT PLATING	HSG COLOR	NOTES
90519-001(LF)	ALL	30u" GXT	BLACK	NOTE 1
90519-002(LF)	ALL			—



NOTES :

- ① SPECIAL PACKAGING.
- 2 GXT IS 0.76um / 30u" MIN GXT WITH Au FLASH OVER 1,27um / 50u" MIN Ni.
- 3 THE PART NUMBER WITH "LF" SUFFIX IS LEAD FREE P/N.
- 4 IF LF P/N, PACKAGING MEETS GS-14-920 SPECIFICATION.
- 5 FOR LEAD FREE P/N THE PRODUCT MEET EUROPEAN UNION DIRECTIVES AND OTHER COUNTRY REGULATION AS DESCRIBED IN GS-22-008.
- 6 FOR LEAD FREE P/N THE HOUSING WILL WITHSTAND EXPOSURE TO 260 DEGREE C FOR 10 SECONDS IN A WAVE SOLDER APPLICATION



mat'l code		tolerance unless otherwise specified		CUSTOMER COPY		 www.fcjconnect.com					
rev.	ecn no.	dr	date	linear	.0 ± 0.30	projection					
A	S10096	FPL/UEW	02/04/91		.00 ± 0.13			title	SP/SW 4 POS VERTICAL PCB MOD JACK ASSY		
B	S20252	ERIC C.	08/09/92	angles	.000 ± 0.05		product family	MOD JACK	code	NAN	
C	T70458	C L	10/21/97		± 2°			unit	mm/inch	size	dwg no.
D	N05-0283	DT	10/20/05	dr	CATHY LIN	10/21/97	scale	3 : 1	A3	90519	
E	N08-0064	SH	05/05/08	engr	TONY CHIEN	10/21/97					
				chr	TONY CHIEN	10/21/97					
				appd	JENN TSAO	10/21/97					
sheet	revision	D									
index	sheet	1									

Tous droits strictement reserves. Reproduction ou communication a des tiers int sous quelque forme que ce soit sans autorisation écrite du propriétaire. Droits de reproduction BERG ELECTRONICS by



All rights strictly reserved. Reproduction or issue to third parties in any form whatsoever is not permitted without written authority from the proprietor. Copyright BERG ELECTRONICS by